

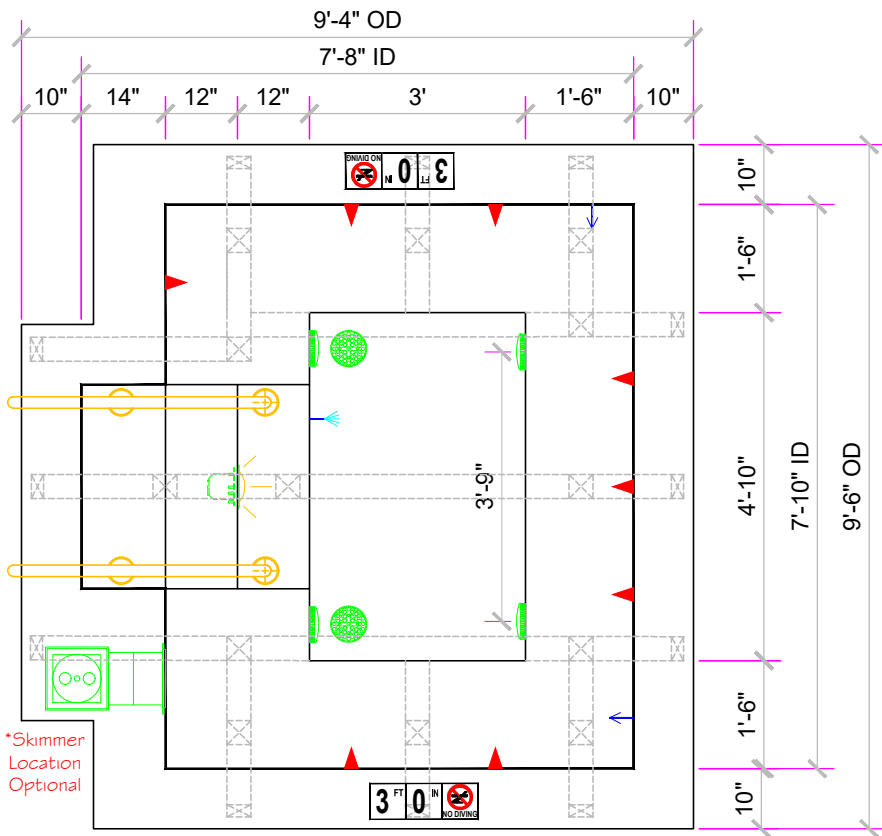
SPECIFICATIONS	
SHELL WEIGHT:	2100 LBS.
WATER WEIGHT:	7047 LBS.
TOTAL SHELL & WATER WEIGHT:	9146.8 LBS.
WATER VOLUME:	113 Cu.Ft.
WATER GALLONS:	845 GAL.
SURFACE AREA:	54.2 SQ. FT.
ICC ES LISTED #:	PMG-1161

NESPA ENTERPRISES, Inc.



ICC ES Listed
PMG-1161

Imperia



*Skimmer Location Optional

Approved for Commercial use
Complies with VGB Pool & Spa Safety Act

